

Name: Hesse Max Date: 06.01.2019 Event: One Race One Man

City: Padova State: Italy Track: _____

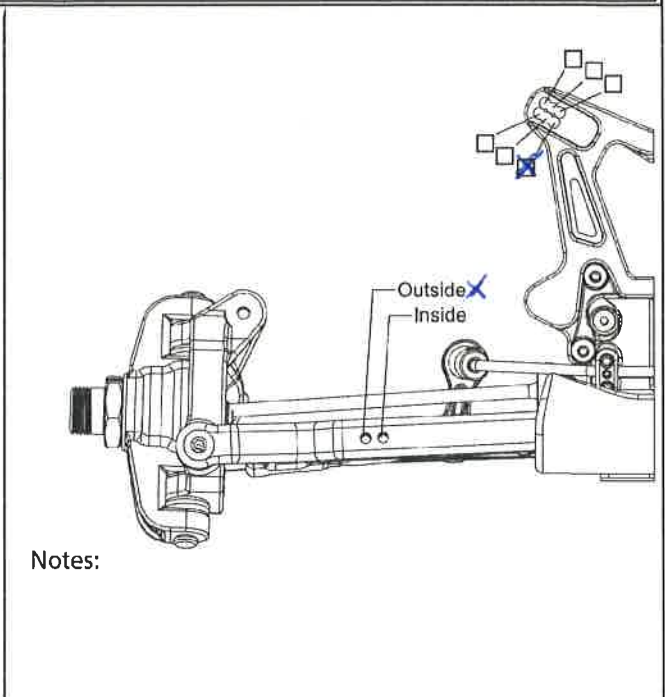
Track Conditions: Indoor Tight Smooth Hard Packed Blue Groove Wet Low Bite High Bite
 Outdoor Open Rough Loose/Loamy Dry Dusty Med Bite Other _____

Front Suspension

Toe: +2mm
 Ride Height: 23mm
 Camber: 2°
 Caster: Standard
 Sway Bar: —
 Piston/Oil: 8x1,2 30wt
 Spring: Standard
 Overall Shock Length: 107mm
 Steering Ackerman: Standard
 Bump Steer: _____
 Camber Link: _____
 Shock Location: _____
 Receiver Battery Type: 10Mn

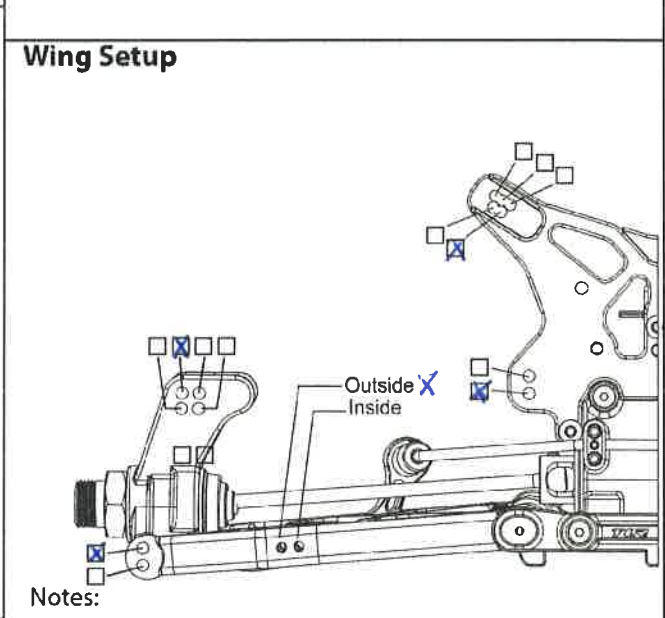
Differentials

Front: Standard
 Diff Fluid: 10000
 Center: Standard
 Diff-Fluid: 10000
 Rear: Standard
 Diff Fluid: 8000



Rear Suspension

Roll Center: HRC LRC
 Toe: 2°
 Anti-Squat: 0
 Ride Height: 28mm
 Camber: 2°
 Rear Hub Spacing: 2/2
 Sway Bar: 2,5
 Piston/Oil: 8x1,3 35WT
 Spring: Standard
 Overall Shock Length: 128mm
 Camber Link: _____
 Shock Position: _____



Engine

Engine: B2103 S Fuel: RS 25
 Glow Plug: P3 Gold Head Clearance: _____
 Pipe/Header: T2090/80mm Gearing: 46:13

Clutch

Clutch Shoes and Springs Info

OS Speed medium

Tires

	Type	Compound	Insert
Front:	<u>PL Electron</u>	<u>M4</u>	<u>PL</u>
Rear:	<u>PL Electron</u>	<u>M4</u>	<u>PL</u>

Notes: